



# Alfa Laval Optigo CC

Commercial air coolers - Single discharge



# Alfa Laval Optigo – Simply fresh, today and tomorrow

Optigo is the Alfa Laval platform for commercial air cooler ranges. Common distinctive features for all Optigo products are the newly developed and highly efficient cooler coil in combination with many other features, options and benefits.



Energy efficient



Expert reliability



Simple and available

Optigo CC are commercial single discharge unit coolers for general application in small to medium-sized cooling, freezing and working rooms. A wide range of models make them especially suitable for refrigerated working, processing and storage rooms. Dedicated ranges for H(C)FC refrigerants (CCE), brine (CCW) and CO<sub>2</sub> (CCX). Optigo CC coolers are available from stock.



## Benefits Optigo CC

- Sufficient space for expansion valve inside casing.
- Eurovent certified performance (CCE models only).
- Easy-install and maintenance. Vertically adjustable drip tray & removable inner drip tray. Hinged side panels.
- Hot-gas defrost ready.
- Energy efficient EC fans available.
- Two-year product guarantee.
- Easy access to on-line product information.

## Other Optigo products

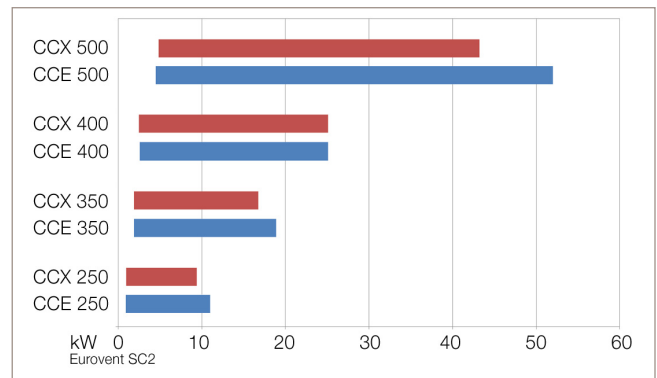
In addition to Optigo CC single discharge unit coolers, the Alfa Laval Optigo platform also offers Optigo CS slim line coolers and Optigo CD dual discharge coolers.



Optigo CS



Optigo CD



### Alfa Laval Optigo CC at a glance

- Suitable for all HFC DX (CCE), CO<sub>2</sub> DX (CCX) and brine refrigerants (CCW).
- Triangular (staggered) coil pitch.
- Fin spacings 3.3, 4, 5.5, 6, 7, 8, 9, 10 & 11 mm.
- 1 to 4 fans, drawing through the coil.
- Room temperatures +10 to -30 °C.
- Capacity range 1 up to 55 kW (SC2).
- Air volumes 770 up to 30000 m<sup>3</sup>/h.

Standard features

Coil

Internally grooved Cu tubes and aluminium fins, smooth tubing for brine applications and dedicated thicker tubes for CO<sub>2</sub> application. Tube pitch is staggered. All CCE models fitted with a T-connection to improve the refrigerant distribution and for hotgas defrost in coil.



cooler model	Fin spacing (mm)							
	3.3	4.0	5.5	6.0*	7.0	8.0*	10.0*	11.0*
CC 250	✓	✓	✓		✓			
CC 350	✓	✓	✓		✓			
CC 400	✓	✓	✓		✓			
CC 500		✓	✓	✓	✓	✓	✓	✓

\* Fin spacing not available for CCX

Casing

All casing parts made of durable sheet metal, epoxy coated RAL 9002. Top plate corrosion resistant Magnelis®. All models fitted with hinged side panels and aluminium drip tray. Drip tray is adjustable for perfect leveling. Removable internal drip tray for inspection & cleaning.

Packing

Optigo CC 250/350 models are delivered in wood-reinforced cardboard boxes, CC 400/500 models in wooden crates. All packings suitable for safe stacking.

Design pressure

Each heat exchanger is leak tested with dry air and finally supplied with a nitrogen pre-charge (CCE & CCX).

Model	Refrigerant	Design pressure	Test pressure
CCE	HFC	40 bar	57 bar
CCX	CO <sub>2</sub>	80 bar	114 bar
CCW	Brine	6 bar	9 bar

Fan motors

1 to 4 fans fitted with AC or EC fan motors available in two fan speeds (noise levels). Fan diameters 250, 350 mm, 400 or 500 mm drawing through the coil. Fan motors 460/60/3 available as option. Detailed fan data on pages 4 and 5.



Shutup sock for enhanced defrost efficiency

Optional features

Defrost systems **E** **HD** **HG**

For cold rooms with room temperatures below 4 °C and where frost build-up is likely, the application of a defrosting system is advised. Available defrost systems are electric defrost in coil (E) and driptray (HD), and hotgas defrost in driptray (HG). Electric defrost for Optigo CC consists of stainless steel heater elements. The defrost elements are connected to separate terminals in the terminal box. Electric defrost capacities on page 7.

Shutup socks **S**

For enhanced defrost efficiency.

Airsock adapter ring **SR**

Available for CC400 and CC500 models only.

Driptray insulation **IS**

Fan ring heater **FRH**

Re-heating coil **RH**

Central terminal box **CB**

Fan motors wired to central terminal box.

Repair switch **SW**

Stainless steel 304 casing & frame **SS**

Fin protection **EP** **CA**

Fin protection is available for more aggressive climate conditions. The following fin protection types are available:

- Epoxy coated aluminium fins (EP)
- Cathaphoresis treatment (CA)

*Cathaphoresis ('cathodic electro-deposition') is a process of coating by immersion, based on the movement of charged particles in an electric field (coating) towards an oppositely charged pole that is to be painted (coil). The complete coil is sunk into the coating basin.*

Code description

<b>CC</b>	<b>E</b>	<b>H</b>	<b>E</b>	<b>30</b>	<b>1.1</b>	<b>A</b>	<b>S</b>	<b>230V</b>	<b>BO</b>	<b>SS</b>	<b>E</b>	<b>EP</b>	<b>4.0</b>	<b>CU</b>	<b>HD</b>	
1	2	3	4	5	6	7	8	9	10	11	12	13	14	15	16	17

- Commercial unit cooler
- Refrigerant system (E = H(C)FC DX, X=CO<sub>2</sub>, W=brine)
- Fan speed (H = high; L = low)
- Fan motor type (empty=AC, E=EC fan)
- Fan diameter (25=250, 35=350, 40=400, 50=500 mm)
- Number of fans (1 to 4)
- CC version
- Tube rows code (A, B, C)
- No. of phases (S= 1 phase, T= 3 phases)
- Motor voltage
- Packing (BO=box, CR=crate)
- Casing material (PC=powder coated, SS= stainless steel)
- Defrost system (A= air defrost, E= electric defrost, HG= hotgas, HG+E= hotgas + electric defrost in driptray)
- Coil protection (EP= epoxy coated aluminium, CA=cathaphoresis)
- Fin spacing (3.3, 4, 5.5, 6, 7, 8, 10 or 11 mm)
- Tube material (CU=copper)
- Options

## Fan motors

Optigo CC coolers are available with 1 to 4 fans fitted with AC or EC fan motors in two fan speed executions (noise levels) H/L. Fan diameters 250, 350 mm, 400 or 500 mm drawing through the coil. Integrated thermo contacts (Clixon) standard for 3-phase AC motors. All single phase motors protected by an integrated internal overload switch. Electronically integrated overload protection for EC fan motors.



## Fan specifications

	ø 250 mm	ø 350 mm	ø 400 mm	ø 500 mm
<b>AC fans 230/50/1</b>				
<b>Fan blade material</b>	Sheet steel, black coated	Sheet steel, black coated	Sheet steel, black coated	Pressed-on round sheet steel, extrusion-coated PP plastic
<b>Fan guard material</b>	Steel, phosphated and black plastic coated	Steel, phosphated and black plastic coated	Steel, phosphated and black plastic coated	Steel, phosphated and black plastic coated
<b>Protection class</b>	IP44	IP44	IP44	IP54
<b>Insulation class</b>	B	F	B	F
<b>Condensate discharge</b>	Rotor side	Rotor side	Rotor side	Rotor side
<b>Bearings</b>	Maintenance-free ball bearings	Maintenance-free ball bearings	Maintenance-free ball bearings	Maintenance-free ball bearings
<b>Motor protection</b>	Thermal overload protector wired internally	Thermal overload protector wired internally	Thermal overload protector wired internally	Thermal overload protector wired internally
<b>AC fans 230-400/50/3</b>				
<b>Fan blade material</b>	Sheet steel, black coated	Sheet steel, black coated	Sheet steel, black coated	Pressed-on round sheet steel, extrusion-coated PP plastic
<b>Fan guard material</b>	Steel, phosphated and black plastic coated	Steel, phosphated and black plastic coated	Steel, phosphated and black plastic coated	Steel, phosphated and black plastic coated
<b>Protection class</b>	IP44	IP44	IP54	IP54
<b>Insulation class</b>	B	F	F	F
<b>Condensate discharge</b>	Rotor side	Rotor side	Rotor side	Rotor side
<b>Bearings</b>	Maintenance-free ball bearings	Maintenance-free ball bearings	Maintenance-free ball bearings	Maintenance-free ball bearings
<b>Motor protection</b>	Thermostat switch	Thermostat switch	Thermostat switch	Thermostat switch
<b>EC fans</b>				
<b>Fan blade material</b>	Hyblade (fiberglass)	Hyblade (fiberglass)	Hyblade (fiberglass)	Hyblade (fiberglass)
<b>Fan guard material</b>	Steel, phosphated and black plastic coated	Steel, phosphated and black plastic coated	Steel, phosphated and black coated	Steel, phosphated and black coated
<b>Protection class</b>	IP54	IP54	IP54	IP54
<b>Insulation class</b>	B	B	B	B
<b>Condensate discharge</b>	None, open rotor	None, open rotor	Rotor side	Rotor side
<b>Bearings</b>	Maintenance-free ball bearings	Maintenance-free ball bearings	Maintenance-free ball bearings	Maintenance-free ball bearings
<b>Motor protection</b>	Electronics	Electronics	Electronics	Electronics

## Fan motor specifications

Fan motor article nr.	Fan diameter mm	AC/EC	Poles nr.	Volt V	Phases nr.	Fan speed code	Freq. Hz	*Fan speed rpm	*Nominal power W	*Max. current A
<b>AC fans 230/50/1</b>										
41103191SP	250	AC	2	230	1	H	50-60	2250	118	0.65
41103241SP	250	AC	4	230	1	L	50-60	1350	45	0.26
41101520SP	350	AC	4	230	1	H	50-60	1400	130	0.70
41101521SP	350	AC	6	230	1	L	50-60	945	65	0.37
41101165SP	400	AC	4	230	1	H	50-60	1380	219	1.16
41101490SP	400	AC	6	230	1	L	50-60	870	120	0.64
41101545SP	500	AC	4	230	1	H	50-60	1300	680	3.60
41101510SP	500	AC	6	230	1	L	50-60	910	300	1.56
<b>AC fans 230-400/50/3</b>										
41101243SP	250	AC	2	230-400	3	H	50-60	2500	100	0.24
41101525SP	350	AC	4	230-400	3	H	50-60	1370	170	0.77
41101152SP	400	AC	4	400	3	H	50-60	1340	280	0.66
41101292SP	400	AC	6	400	3	L	50-60	900	120	0.34
41101546SP	500	AC	4	400	3	H	50-60	1390	720	1.69
41101504SP	500	AC	6	400	3	L	50-60	870	290	0.89
<b>EC fans</b>										
41101558SP	250	EC		230	1	H	50-60	2250	70	0.77
						L		1350	20	0.26
41103185SP	350	EC		230	1	H	50-60	1400	98	0.98
						L		945	58	0.56
41103258SP	400	EC		230	1	H	50-60	1380	135	1.32
						L		870	78	0.83
11000126SP	500	EC		230	1	H	50-60	1300	600	3.24
11000127SP	500	EC		230	1	L	50-60	910	250	1.36
11000128SP	500	EC		380-480	3	H	50-60	1390	489	1.02
11000129SP	500	EC		380-480	3	L	50-60	1180	308	0.72

\* Specifications for 50Hz and 230V for 230-400 fans, 400V for 380-480 fans. Maximum current at t = -30 °C.

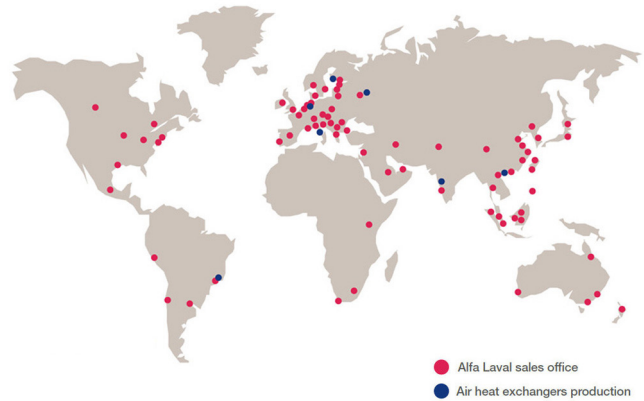
### Quality and certifications

All Alfa Laval Optigo production sites are certified according to ISO 9001 (Quality) and ISO 14001 (Environment). Alfa Laval Optigo units are built according to the strictest international standards in terms of safety, energy efficiency and environmental sustainability. All units are given a 2-year guarantee. Alfa Laval is participant in the Eurovent Certify All programme for air-cooled condensers, dry coolers and DX air coolers. All Optigo products are manufactured according to CE and PED regulations.



### Worldwide support

Alfa Laval offers worldwide support from product and application specialists via 103 sales offices in 53 countries. Alfa Laval offers a comprehensive portfolio of parts and services including quality spare parts delivery via channel partners, reconditioning, on-site services, performance agreements, exclusive stock stored, upgrades, consulting services and training.



### Product selection and information

Our easy-to-use selection software AlfaSelect Air helps you select the most suitable air cooler solution for your specific application. The software provides separate modules for thermal and mechanical design. The data sheet printout provides all relevant technical specifications for the selected cooler model, including detailed dimensional drawings. Additional product information like user manuals, CAD drawings and electrical connections is available for download on the Optigo CC product page on our website [www.alfalaval.com](http://www.alfalaval.com).

CAS 5  
File Edit Actions Settings Tools Windows Help

AlfaSelect AIR

Direct Expansion Air Cooler Pump Air Cooler Brine Air Cooler Air Cooled Condenser Air Cooled Liquid Cooler ColdRoom Settings

Duty Mode: Design  
Operating Mode: Direct Expansion  
Family: <All Families>  
Type: Optigo CC  
Series: CCE

Calculation  
Capacity: 21.00 [kW]  
Airtemp: 0.0 [°C]  
EvapTemp: -8.0 [°C]  
Rel humidity: 85.0 [%]  
TempDiff: 8.0 [K]  
EuroventClass: -  
Fluid: R404A

Optigo CC

Fan Input  
EC Motor:   
Power supply: 50Hz  
Noise Level: H  
Blade material: Auto Selection  
ERP2015 compliant:   
Coil Input  
MinFinspacing: 4.0  
Fin material: Aluminium  
Tube material: Copper

Air Coolers Single air flow - 50 Hz

DTM	6.10	[K]
ErP 2015 compliant		
Length	2200.0	[mm]
Height	685.0	[mm]
Depth	630.0	[mm]
Dry weight (approx +/- 5%)	148.1	[kg]
Fin Spacing	4.0	[mm]
Fin Material	Aluminium	
Tube Material	Copper	
Sound power LWA	79	[dB(A)]
Number of fans	3	
Fan diameter	400.0	[mm]
Fan Connection	D	
Voltage	400V	
Rotation speed	1340	[rpm]
Nom.power consumption	840.0	[W]
Nominal current	1.65	[A]
Full load current (-30%)	1.98	[A]

Attention: Prices in the result-list below are base-prices without any of the selected options. These prices are used for sorting the resultlist.  
Selected unit: CCEH4038D 400V BO PCA AL 4.0 CU  
Total price (RCPL) incl. Selected options: 2393 EUR

Model	Capacity [kW]	Surface Area [m²]	FinSpacing [mm]	Margin %	Air Flow [m³/s]	Air Throw [m]	Sound Pressure [dB(A)]	Sound Power [LWA]	Fan Conn   Speed [rpm]	Motor   Tot Power [W]	Cons   Tot Curr. [A]	Price	Note
CCEH4038T	19.26	74.19	4.0	-8.30	2.769	25.62	58	79	D   1340	840.0	1.65	2393	
CCEH502AT	19.36	106.2	4.0	-7.80	4.043	33.33	58	79	D   1390	1440.0	2.82	2565	

### Capacities and technical data

On the next pages you will find capacities and other selection data for air cooler models with 4, 7 and 10 mm fin spacing fitted with AC fan motor types. To select other cooler models please use our AlfaSelect selection software.

#### Cooling capacities

Cooling capacities as given in the tables are nominal capacities for frosted conditions ( $Q_n$ ) in compliance with Eurovent regulations and EN328. These nominal values have been calculated from the standard (dry) condition  $Q_{St}$  with the following formula:  $Q_n = Q_{St} \times \text{correction factor}$ .

Standard Condition	Air inlet temp. (°C)	Evaporating temp. (°C)	Relative humidity	Correction factor
SC1	10	0	85%	1.35
SC2	0	-8	85%	1.15
SC3	-18	-25	95%	1.05
SC4	-25	-31	95%	1.01

Nominal capacities are calculated with refrigerant R404A. For other refrigerants the following correction factors should be applied:

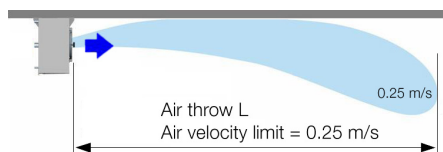
Refrigerant	SC1	SC2	SC3	SC4
R134a	0.93	0.91	0.85	-
R507	0.97	0.97	0.97	0.97
R407F	1.19	1.24	1.29	1.35
R407A	1.19	1.24	1.28	1.32

#### Eurovent certified

The Eurovent Certify All program does not cover air cooler models for CO<sub>2</sub> and brine refrigerant applications. Only models for HFC refrigerants in DX execution are Eurovent certified.

#### Air throw

The values given in the tables are for ceiling mounted coolers at  $t=20^\circ\text{C}$ , an unrestrained air flow in the cold room and a minimal air velocity of 0.25 m/s at the given air throw distance. The height and air circulation of the room may influence the air throw.



#### Sound pressure dB(A)

Sound pressure as given in the tables are sound pressure levels in dB(A) at 3 m distance in free field conditions according to EN13487. Values may deviate depending on situations at site.

### Electric defrost capacities

Model Optigo CC	Coil defrost				Driptray defrost	
	Tube rows no.	heater elements no.	power per heater W	total power W	heater elements no.	total power W
251.1A	4	2	420	840	1	420
251.1B	6	2	420	840	1	420
251.1C	8	4	420	1680	1	420
252.1A	4	2	760	1520	1	760
252.1B	6	2	760	1520	1	760
252.1C	8	4	760	3040	1	760
253.1A	4	2	1120	2240	1	1120
253.1B	6	2	1120	2240	1	1120
253.1C	8	4	1120	4480	1	1120
254.1A	4	2	1470	2940	1	1470
254.1B	6	2	1470	2940	1	1470
351.1A	4	4	420	1680	1	420
351.1B	6	4	420	1680	1	420
351.1C	8	5	420	2100	1	420
352.1A	4	4	760	3040	1	760
352.1B	6	4	760	3040	1	760
352.1C	8	5	760	3800	1	760
353.1A	4	4	1120	4480	1	1120
353.1B	6	4	1120	4480	1	1120
353.1C	8	5	1120	5600	1	1120
354.1A	4	4	1470	5880	1	1470
354.1B	6	4	1470	5880	1	1470
401A	4	5	460	2300	1	460
401B	6	5	460	2300	1	460
401C	8	8	460	3680	1	460
402A	4	5	880	4400	1	880
402B	6	5	880	4400	1	880
402C	8	8	880	7040	1	880
403A	4	5	1290	6450	1	1290
403B	6	5	1290	6450	1	1290
403C	8	8	1290	10320	1	1290
404A	4	5	1700	8500	1	1700
404B	6	5	1700	8500	1	1700
404C	8	8	1700	13600	1	1700
501A	4	5	630	3150	1	630
501B	6	5	630	3150	1	630
501C	8	8	630	5040	1	630
502A	4	5	1220	6100	1	1220
502B	6	5	1220	6100	1	1220
502C	8	8	1220	9760	1	1220
503B	4	5	1810	9050	1	1810
503C	8	8	1810	14480	1	1810
504B	4	5	2400	12000	1	2400
504C	8	8	2400	19200	1	2400

Model	Nominal capacities HFC DX		AC fans 230/50-60/1							Connections	
	SC1	SC2	fan power nr.	air throw W	sound pressure dB(A)	air flow m <sup>3</sup> /h	coil surface m <sup>2</sup>	Int. volume dm <sup>3</sup>	in mm	out mm	
<b>CCE</b>											
<b>Fin spacing 4 mm, fan speed H</b>											
CCEH251.1A	3.1	2.1	1	118	7.8	54	1256	8.4	1.9	12	14
CCEH251.1B	3.9	2.6	1	118	7.5	54	1203	12.6	2.8	12	16
CCEH251.1C	4.3	2.9	1	118	7.2	54	1154	16.8	3.7	12	16
CCEH252.1A	6.1	4.1	2	236	11.3	57	2489	15.9	3.2	12	18
CCEH252.1B	7.4	5.0	2	236	10.8	57	2376	23.9	4.8	16	18
CCEH252.1C	8.4	5.8	2	236	10.3	57	2269	31.8	6.3	16	18
CCEH253.1A	8.8	5.9	3	354	13.9	59	3722	23.4	4.5	16	22
CCEH253.1B	11.3	7.7	3	354	13.3	59	3548	35.1	6.7	16	22
CCEH253.1C	12.4	8.4	3	354	12.6	59	3383	46.9	9.0	16	22
CCEH254.1A	12.2	8.2	4	472	16.1	40	4955	30.9	5.8	16	22
CCEH254.1B	14.7	9.9	4	472	15.3	40	4720	46.4	8.7	22	28
CCEH351.1A	5.6	3.8	1	130	11.7	49	2373	13.5	3.0	12	16
CCEH351.1B	6.9	4.7	1	130	10.9	49	2216	20.2	4.5	16	18
CCEH351.1C	7.6	5.2	1	130	10.2	49	2075	26.9	5.9	16	18
CCEH352.1A	10.9	7.3	2	260	16.8	52	4681	25.5	5.1	16	18
CCEH352.1B	13.0	8.7	2	260	15.6	52	4344	38.2	7.6	22	22
CCEH352.1C	14.7	10.1	2	260	14.5	52	4047	50.9	10.1	22	22
CCEH353.1A	16.2	10.9	3	390	20.6	54	6987	37.5	7.2	22	22
CCEH353.1B	19.8	13.4	3	390	19.1	54	6469	56.2	10.8	22	28
CCEH353.1C	21.4	14.5	3	390	17.8	54	6016	75.0	14.4	22	28
CCEH354.1A	21.5	14.5	4	520	23.9	55	9291	49.5	9.3	22	28
CCEH354.1B	25.6	17.2	4	520	22.1	55	8593	74.2	13.9	28	28
<b>Fin spacing 4 mm, fan speed L</b>											
CCEL251.1A	2.2	1.5	1	45	4.7	34	748	8.4	1.9	12	14
CCEL251.1B	2.7	1.8	1	45	4.5	34	719	12.6	2.8	12	16
CCEL251.1C	2.9	2.0	1	45	4.3	34	694	16.8	3.7	12	16
CCEL252.1A	4.4	3.0	2	90	6.7	37	1483	15.9	3.2	12	18
CCEL252.1B	5.2	3.5	2	90	6.4	37	1423	23.9	4.8	16	18
CCEL252.1C	5.6	3.9	2	90	6.2	37	1368	31.8	6.3	16	18
CCEL253.1A	6.4	4.3	3	135	8.3	39	2218	23.4	4.5	16	22
CCEL253.1B	7.8	5.3	3	135	7.9	39	2126	35.1	6.7	16	22
CCEL253.1C	8.4	5.8	3	135	7.6	39	2041	46.9	9.0	16	22
CCEL254.1A	8.6	5.9	4	180	9.6	40	2953	30.9	5.8	16	22
CCEL254.1B	10.3	7.0	4	180	9.2	40	2829	46.4	8.7	22	28
CCEL351.1A	4.5	3.1	1	65	8.3	42	1688	13.5	3.0	12	16
CCEL351.1B	5.3	3.7	1	65	7.7	42	1554	20.2	4.5	16	18
CCEL351.1C	5.7	3.9	1	65	7.1	42	1444	26.9	5.9	16	18
CCEL352.1A	8.8	5.9	2	130	11.9	45	3318	25.5	5.1	16	18
CCEL352.1B	10.2	6.9	2	130	10.9	45	3037	38.2	7.6	22	22
CCEL352.1C	11.1	7.6	2	130	10.1	45	2811	50.9	10.1	22	22
CCEL353.1A	12.9	8.8	3	195	14.6	47	4946	37.5	7.2	22	22
CCEL353.1B	15.4	10.5	3	195	13.4	47	4519	56.2	10.8	22	28
CCEL353.1C	16.3	11.1	3	195	12.3	47	4176	75.0	14.4	22	28
CCEL354.1A	17.3	11.7	4	260	16.9	48	6574	49.5	9.3	22	28
CCEL354.1B	20.2	13.7	4	260	15.4	48	6000	74.2	13.9	28	28



Model	Nominal capacities HFC DX				AC fans 230/50-60/1							Connections	
	SC1	SC2	SC3	SC4	nr.	fan power W	air throw m	sound pressure dB(A)	air flow m <sup>3</sup> /h	coil surface m <sup>2</sup>	Int. volume dm <sup>3</sup>	in mm	out mm
<b>CCE</b>													
<b>Fin spacing 7 mm, fan speed H</b>													
CCEH251.1A	2.3	1.6	1.2	1.0	1	118	8.0	54	1290	5.1	1.9	12	14
CCEH251.1B	3.1	2.1	1.7	1.3	1	118	7.8	54	1250	7.7	2.8	12	16
CCEH251.1C	3.6	2.5	2.0	1.6	1	118	7.6	54	1213	10.2	3.7	12	16
CCEH252.1A	4.6	3.1	2.4	2.0	2	236	11.6	57	2563	9.7	3.2	12	18
CCEH252.1B	6.0	4.0	3.2	2.5	2	236	11.2	57	2477	14.5	4.8	16	18
CCEH252.1C	7.1	4.8	3.9	3.1	2	236	10.9	57	2398	19.4	6.3	16	18
CCEH253.1A	6.8	4.5	3.5	2.8	3	354	14.3	59	3835	14.2	4.5	16	22
CCEH253.1B	9.0	6.1	4.9	4.0	3	354	13.8	59	3703	21.4	6.7	16	22
CCEH253.1C	10.5	7.1	5.6	4.6	3	354	13.4	59	3581	28.5	9.0	16	22
CCEH254.1A	9.1	6.1	4.9	4.0	4	472	16.6	40	5106	18.8	5.8	16	22
CCEH254.1B	11.8	8.0	6.3	5.1	4	472	16.0	40	4928	28.2	8.7	22	28
CCEH351.1A	4.2	2.9	2.2	1.8	1	130	12.2	49	2474	8.2	3.0	12	16
CCEH351.1B	5.5	3.8	3.0	2.4	1	130	11.6	49	2354	12.3	4.5	16	18
CCEH351.1C	6.4	4.4	3.5	2.9	1	130	11.1	49	2244	16.4	5.9	16	18
CCEH352.1A	8.2	5.6	4.4	3.6	2	260	17.5	52	4897	15.5	5.1	16	18
CCEH352.1B	10.6	7.2	5.5	4.4	2	260	16.6	52	4638	23.2	7.6	22	22
CCEH352.1C	12.5	8.5	6.8	5.6	2	260	15.8	52	4401	31.0	10.1	22	22
CCEH353.1A	12.2	8.2	6.5	5.3	3	390	21.6	54	7317	22.8	7.2	22	22
CCEH353.1B	16.0	10.9	8.6	7.0	3	390	20.4	54	6919	34.2	10.8	22	28
CCEH353.1C	18.4	12.5	9.8	7.9	3	390	19.4	54	6556	45.6	14.4	22	28
CCEH354.1A	16.3	11.0	8.6	7.0	4	520	25.0	55	9737	30.1	9.3	22	28
CCEH354.1B	21.0	14.2	11.0	8.8	4	520	23.6	55	9200	45.1	13.9	28	28
<b>Fin spacing 7 mm, fan speed L</b>													
CCEL251.1A	1.6	1.1	0.9	0.7	1	45	4.8	34	768	5.1	1.9	12	14
CCEL251.1B	2.1	1.5	1.2	1.0	1	45	4.7	34	746	7.7	2.8	12	16
CCEL251.1C	2.4	1.7	1.4	1.1	1	45	4.5	34	727	10.2	3.7	12	16
CCEL252.1A	3.2	2.2	1.8	1.4	2	90	6.9	37	1526	9.7	3.2	12	18
CCEL252.1B	4.2	2.8	2.3	1.9	2	90	6.7	37	1479	14.5	4.8	16	18
CCEL252.1C	4.8	3.3	2.7	2.2	2	90	6.5	37	1438	19.4	6.3	16	18
CCEL253.1A	4.8	3.3	2.6	2.1	3	135	8.5	39	2284	14.2	4.5	16	22
CCEL253.1B	6.2	4.2	3.4	2.8	3	135	8.3	39	2212	21.4	6.7	16	22
CCEL253.1C	7.1	4.9	4.0	3.2	3	135	8.0	39	2149	28.5	9.0	16	22
CCEL254.1A	6.4	4.3	3.5	2.9	4	180	9.9	40	3042	18.8	5.8	16	22
CCEL254.1B	8.2	5.6	4.5	3.7	4	180	9.6	40	2945	28.2	8.7	22	28
CCEL351.1A	3.4	2.3	1.8	1.5	1	65	8.8	42	1783	8.2	3.0	12	16
CCEL351.1B	4.3	3.0	2.4	1.9	1	65	8.3	42	1676	12.3	4.5	16	18
CCEL351.1C	4.9	3.4	2.7	2.2	1	65	7.8	42	1582	16.4	5.9	16	18
CCEL352.1A	6.6	4.5	3.6	2.9	2	130	12.6	45	3519	15.5	5.1	16	18
CCEL352.1B	8.4	5.7	4.5	3.6	2	130	11.8	45	3291	23.2	7.6	22	22
CCEL352.1C	9.6	6.6	5.3	4.4	2	130	11.1	45	3095	31.0	10.1	22	22
CCEL353.1A	9.7	6.6	5.2	4.3	3	195	15.5	47	5254	22.8	7.2	22	22
CCEL353.1B	12.6	8.6	6.8	5.6	3	195	14.5	47	4904	34.2	10.8	22	28
CCEL353.1C	14.3	9.7	7.7	6.3	3	195	13.6	47	4606	45.6	14.4	22	28
CCEL354.1A	13.1	8.9	7.0	5.7	4	260	18.0	48	6987	30.1	9.3	22	28
CCEL354.1B	16.6	11.3	8.9	7.2	4	260	16.8	48	6516	45.1	13.9	28	28

Model	Nominal capacities HFC DX		AC fans 400/50/3							Connections	
	SC1 kW	SC2 kW	fan power nr. W	air throw m	sound pressure dB(A)	air flow m <sup>3</sup> /h	coil surface m <sup>2</sup>	Int. volume dm <sup>3</sup>	in mm	out mm	
<b>CCE</b>											
<b>Fin spacing 4 mm, fan speed H</b>											
CCEH251.1A	3.2	2.1	1	100	8.1	58	1306	8.4	1.9	12	14
CCEH251.1B	4.0	2.7	1	100	7.8	58	1258	12.6	2.8	12	16
CCEH251.1C	4.5	3.1	1	100	7.6	58	1213	16.8	3.7	12	16
CCEH252.1A	6.2	4.2	2	200	11.8	61	2592	15.9	3.2	12	18
CCEH252.1B	7.7	5.2	2	200	11.3	61	2488	23.9	4.8	16	18
CCEH252.1C	8.8	6.0	2	200	10.8	61	2390	31.8	6.3	16	18
CCEH253.1A	9.0	6.0	3	300	14.5	63	3877	23.4	4.5	16	22
CCEH253.1B	11.7	8.0	3	300	13.9	63	3717	35.1	6.7	16	22
CCEH253.1C	12.9	8.8	3	300	13.3	63	3567	46.9	9.0	16	22
CCEH254.1A	12.5	8.4	4	400	16.8	64	5162	30.9	5.8	16	22
CCEH254.1B	15.2	10.2	4	400	16.1	64	4945	46.4	8.7	22	28
CCEH351.1A	5.8	3.9	1	130	12.3	49	2498	13.5	3.0	12	16
CCEH351.1B	7.2	4.9	1	130	11.5	49	2342	20.2	4.5	16	18
CCEH351.1C	7.9	5.4	1	130	10.8	49	2198	26.9	5.9	16	18
CCEH352.1A	11.2	7.6	2	260	17.7	52	4932	25.5	5.1	16	18
CCEH352.1B	13.4	9.0	2	260	16.5	52	4595	38.2	7.6	22	22
CCEH352.1C	15.4	10.5	2	260	15.4	52	4288	50.9	10.1	22	22
CCEH353.1A	16.7	11.3	3	390	21.7	54	7362	37.5	7.2	22	22
CCEH353.1B	20.6	13.9	3	390	20.2	54	6845	56.2	10.8	22	28
CCEH353.1C	22.3	15.1	3	390	18.8	54	6374	75.0	14.4	22	28
CCEH354.1A	22.2	14.9	4	520	25.2	55	9792	49.5	9.3	22	28
CCEH354.1B	26.6	17.8	4	520	23.4	55	9094	74.2	13.9	28	28

Model	Nominal capacities HFC DX		AC fans 400/50/3							Connections	
	SC1 kW	SC2 kW	nr.	fan power W	air throw m	sound pressure dB(A)	air flow m <sup>3</sup> /h	coil surface m <sup>2</sup>	Int. volume dm <sup>3</sup>	in mm	out mm
<b>CCE</b>											
<b>Fin spacing 4 mm, fan speed H</b>											
CCEH401A	8.0	5.4	1	280	16.1	51	3664	17.0	3.7	16	18
CCEH401B	9.7	6.5	1	280	14.8	51	3382	25.5	5.5	16	18
CCEH401C	10.9	7.4	1	280	13.8	51	3138	34.1	7.3	16	22
CCEH402A	15.6	10.4	2	560	22.8	54	7277	33.3	6.5	16	22
CCEH402B	18.1	11.9	2	560	21.0	54	6697	49.9	9.8	16	22
CCEH402C	21.5	14.6	2	560	19.5	54	6201	66.5	13.0	22	35
CCEH403A	23.7	15.9	3	840	28.0	56	10890	49.5	9.3	22	28
CCEH403B	28.7	19.3	3	840	25.7	56	10010	74.2	14.0	22	28
CCEH403C	30.6	20.5	3	840	23.8	56	9264	98.9	18.7	22	28
CCEH404A	31.0	20.7	4	1120	32.4	57	14500	65.7	12.2	22	28
CCEH404B	36.0	23.8	4	1120	29.7	57	13330	98.5	18.3	22	28
CCEH404C	40.8	27.2	4	1120	27.5	57	12330	131.4	24.4	22	35
CCEH501A	14.7	9.7	1	720	23.5	55	7304	54.0	6.5	16	35
CCEH501B	18.7	12.6	1	720	22.2	55	6911	81.0	9.7	22	35
CCEH501C	21.3	14.4	1	720	21.1	55	6567	108.0	13.0	22	42
CCEH502A	29.1	19.4	2	1440	33.3	58	14560	106.2	11.7	22	42
CCEH502B	37.1	24.9	2	1440	31.5	58	13750	159.2	17.5	28	42
CCEH502C	41.7	28.0	2	1440	29.9	58	13050	212.3	23.4	28	42
CCEH503B	53.1	35.0	3	2160	38.6	60	20600	237.5	25.4	28	42
CCEH503C	56.7	37.0	3	2160	36.6	60	19540	316.6	33.9	28	42
CCEH504B	63.9	41.2	4	2880	44.6	61	27440	315.7	33.3	28	54
CCEH504C	77.6	52.0	4	2880	42.3	61	26020	420.9	44.3	28	54
<b>Fin spacing 4 mm, fan speed L</b>											
CCEL401A	5.9	4.0	1	120	9.8	41	2227	17.0	3.7	16	18
CCEL401B	6.9	4.7	1	120	9.0	41	2047	25.5	5.5	16	18
CCEL401C	7.4	5.1	1	120	8.3	41	1896	34.1	7.3	16	22
CCEL402A	11.5	7.8	2	240	13.9	44	4420	33.3	6.5	16	22
CCEL402B	13.3	8.9	2	240	12.7	44	4052	49.9	9.8	16	22
CCEL402C	14.7	10.1	2	240	11.7	44	3745	66.5	13.0	22	35
CCEL403A	17.3	11.7	3	360	17.0	46	6614	49.5	9.3	22	28
CCEL403B	20.4	13.9	3	360	15.6	46	6057	74.2	14.0	22	28
CCEL403C	21.5	14.6	3	360	14.4	46	5594	98.9	18.7	22	28
CCEL404A	23.0	15.5	4	480	19.7	47	8807	65.7	12.2	22	28
CCEL404B	26.5	17.8	4	480	18.0	47	8062	98.5	18.3	22	28
CCEL404C	28.6	19.5	4	480	16.6	47	7443	131.4	24.4	22	35
CCEL501A	11.4	7.7	1	290	15.4	45	4807	54.0	6.5	16	35
CCEL501B	14.1	9.5	1	290	14.6	45	4561	81.0	9.7	22	35
CCEL501C	15.7	10.7	1	290	13.9	45	4329	108.0	13.0	22	42
CCEL502A	22.7	15.2	2	580	21.9	48	9582	106.2	11.7	22	42
CCEL502B	28.1	19.0	2	580	20.8	48	9077	159.2	17.5	28	42
CCEL502C	31.1	21.1	2	580	19.7	48	8602	212.3	23.4	28	42
CCEL503B	41.3	27.7	3	870	25.5	50	13590	237.5	25.4	28	42
CCEL503C	44.2	29.5	3	870	24.1	50	12870	316.6	33.9	28	42
CCEL504B	51.7	34.1	4	1160	29.5	51	18110	315.7	33.3	28	54
CCEL504C	58.2	39.4	4	1160	27.9	51	17150	420.9	44.3	28	54

Model	Nominal capacities HFC DX				AC fans 400/50/3							Connections	
	SC1 kW	SC2 kW	SC3 kW	SC4 kW	fan power nr.	air throw W	sound pressure m	air flow dB(A)	coil surface m <sup>3</sup> /h	coil surface m <sup>2</sup>	Int. volume dm <sup>3</sup>	in mm	out mm
CCE													
Fin spacing 7 mm, fan speed H													
CCEH251.1A	2.4	1.6	1.3	1.0	1	100	8.3	58	1339	5.1	1.9	12	14
CCEH251.1B	3.2	2.1	1.7	1.4	1	100	8.1	58	1301	7.7	2.8	12	16
CCEH251.1C	3.7	2.5	2.0	1.6	1	100	7.9	58	1267	10.2	3.7	12	16
CCEH252.1A	4.7	3.2	2.5	2.0	2	200	12.1	61	2661	9.7	3.2	12	18
CCEH252.1B	6.1	4.2	3.2	2.6	2	200	11.7	61	2580	14.5	4.8	16	18
CCEH252.1C	7.3	5.0	4.0	3.2	2	200	11.4	61	2507	19.4	6.3	16	18
CCEH253.1A	6.9	4.6	3.6	2.9	3	300	14.9	63	3983	14.2	4.5	16	22
CCEH253.1B	9.2	6.3	5.0	4.1	3	300	14.4	63	3858	21.4	6.7	16	22
CCEH253.1C	10.8	7.4	5.8	4.7	3	300	14.0	63	3746	28.5	9.0	16	22
CCEH254.1A	9.3	6.3	5.0	4.1	4	400	17.2	64	5305	18.8	5.8	16	22
CCEH254.1B	12.2	8.2	6.4	5.2	4	400	16.7	64	5136	28.2	8.7	22	28
CCEH351.1A	4.4	3.0	2.3	1.9	1	130	12.8	49	2601	8.2	3.0	12	16
CCEH351.1B	5.7	3.9	3.1	2.5	1	130	12.2	49	2478	12.3	4.5	16	18
CCEH351.1C	6.7	4.6	3.6	3.0	1	130	11.7	49	2368	16.4	5.9	16	18
CCEH352.1A	8.5	5.8	4.5	3.7	2	260	18.4	52	5148	15.5	5.1	16	18
CCEH352.1B	11.0	7.4	5.7	4.6	2	260	17.5	52	4887	23.2	7.6	22	22
CCEH352.1C	13.0	8.9	7.1	5.8	2	260	16.7	52	4651	31.0	10.1	22	22
CCEH353.1A	12.6	8.5	6.7	5.5	3	390	22.7	54	7693	22.8	7.2	22	22
CCEH353.1B	16.6	11.2	8.9	7.2	3	390	21.5	54	7293	34.2	10.8	22	28
CCEH353.1C	19.2	13.0	10.2	8.2	3	390	20.5	54	6929	45.6	14.4	22	28
CCEH354.1A	16.8	11.4	8.9	7.2	4	520	26.3	55	10240	30.1	9.3	22	28
CCEH354.1B	21.7	14.6	11.3	9.1	4	520	24.9	55	9698	45.1	13.9	28	28

Model	Nominal capacities HFC DX				AC fans 400/50/3							Connections	
	SC1 kW	SC2 kW	SC3 kW	SC4 kW	fan nr.	air power W	air throw m	sound pressure dB(A)	air flow m <sup>3</sup> /h	coil surface m <sup>2</sup>	Int. volume dm <sup>3</sup>	in mm	out mm
<b>CCE</b>													
<b>Fin spacing 7 mm, fan speed H</b>													
CCEH401A	6.1	4.1	3.2	2.6	1	280	16.9	51	3846	10.4	3.7	16	18
CCEH401B	7.9	5.3	4.1	3.3	1	280	15.9	51	3623	15.5	5.5	16	18
CCEH401C	9.3	6.3	5.0	4.0	1	280	15.0	51	3423	20.7	7.3	16	22
CCEH402A	12.0	8.1	6.3	5.0	2	560	24.0	54	7651	20.2	6.5	16	22
CCEH402B	15.1	10.1	7.6	6.0	2	560	22.6	54	7191	30.3	9.8	16	22
CCEH402C	18.4	12.5	9.9	8.0	2	560	21.3	54	6782	40.4	13.0	22	35
CCEH403A	18.0	12.2	9.5	7.8	3	840	29.5	56	11450	30.1	9.3	22	28
CCEH403B	23.4	15.8	12.3	9.9	3	840	27.7	56	10760	45.1	14.0	22	28
CCEH403C	26.7	17.9	13.7	10.9	3	840	26.1	56	10140	60.2	18.7	22	28
CCEH404A	23.9	16.1	12.5	10.0	4	1120	34.0	57	15260	39.9	12.2	22	28
CCEH404B	30.1	20.1	15.1	11.9	4	1120	32.0	57	14330	59.9	18.3	22	28
CCEH404C	35.5	23.8	18.2	14.5	4	1120	30.1	57	13500	79.9	24.4	22	35
CCEH501A	10.3	6.9	5.3	4.2	1	720	24.7	55	7690	31.8	6.5	16	35
CCEH501B	13.8	9.3	7.2	5.8	1	720	23.9	55	7433	47.7	9.7	22	35
CCEH501C	16.8	11.3	8.8	7.2	1	720	23.1	55	7196	63.6	13.0	22	42
CCEH502A	20.4	13.6	10.5	8.4	2	1440	35.1	58	15350	62.5	11.7	22	42
CCEH502B	27.6	18.5	14.4	11.6	2	1440	33.9	58	14820	93.7	17.5	28	42
CCEH502C	33.3	22.4	17.3	13.8	2	1440	32.8	58	14330	124.9	23.4	28	42
CCEH503B	40.9	27.2	20.5	16.3	3	2160	41.6	60	22200	139.8	25.4	28	42
CCEH503C	47.3	31.2	23.0	17.9	3	2160	40.3	60	21470	186.3	33.9	28	42
CCEH504B	51.5	33.8	24.5	19.0	4	2880	48.1	61	29590	185.8	33.3	28	54
CCEH504C	60.4	40.5	31.3	25.2	4	2880	46.5	61	28610	247.7	44.3	28	54
<b>Fin spacing 7 mm, fan speed L</b>													
CCEL401A	4.4	3.0	2.4	1.9	1	120	10.9	41	2496	10.4	3.7	16	18
CCEL401B	5.7	3.8	3.0	2.5	1	120	10.2	41	2329	15.5	5.5	16	18
CCEL401C	6.5	4.4	3.5	2.9	1	120	9.6	41	2185	20.7	7.3	16	22
CCEL402A	8.8	5.9	4.7	3.8	2	240	15.6	44	4960	20.2	6.5	16	22
CCEL402B	11.0	7.5	5.8	4.6	2	240	14.5	44	4618	30.3	9.8	16	22
CCEL402C	12.8	8.7	7.0	5.8	2	240	13.6	44	4325	40.4	13.0	22	35
CCEL403A	13.0	8.8	7.0	5.8	3	360	19.1	46	7424	30.1	9.3	22	28
CCEL403B	16.7	11.4	9.0	7.4	3	360	17.8	46	6907	45.1	14.0	22	28
CCEL403C	18.9	12.9	10.1	8.2	3	360	16.6	46	6463	60.2	18.7	22	28
CCEL404A	17.4	11.8	9.3	7.6	4	480	22.1	47	9888	39.9	12.2	22	28
CCEL404B	22.0	14.8	11.5	9.3	4	480	20.5	47	9195	59.9	18.3	22	28
CCEL404C	25.2	17.1	13.5	10.9	4	480	19.2	47	8602	79.9	24.4	22	35
CCEL501A	8.1	5.4	4.2	3.4	1	290	16.3	45	5067	31.8	6.5	16	35
CCEL501B	10.6	7.2	5.6	4.6	1	290	15.7	45	4898	47.7	9.7	22	35
CCEL501C	12.8	8.7	6.8	5.6	1	290	15.3	45	4751	63.6	13.0	22	42
CCEL502A	16.1	10.8	8.4	6.8	2	580	23.2	48	10110	62.5	11.7	22	42
CCEL502B	21.3	14.4	11.3	9.2	2	580	22.4	48	9766	93.7	17.5	28	42
CCEL502C	25.5	17.3	13.6	11.0	2	580	21.7	48	9467	124.9	23.4	28	42
CCEL503B	32.1	21.6	16.6	13.4	3	870	27.4	50	14630	139.8	25.4	28	42
CCEL503C	37.3	25.0	18.9	15.0	3	870	26.6	50	14180	186.3	33.9	28	42
CCEL504B	41.4	27.6	20.6	16.2	4	1160	31.7	51	19500	185.8	33.3	28	54
CCEL504C	46.5	31.4	24.6	20.0	4	1160	30.7	51	18900	247.7	44.3	28	54

Model	Nominal capacities HFC DX				AC fans 400/50/3							Connections	
	SC1 kW	SC2 kW	SC3 kW	SC4 kW	fan power nr. W	air throw m	sound pressure dB(A)	air flow m <sup>3</sup> /h	coil surface m <sup>2</sup>	Int. volume dm <sup>3</sup>	in mm	out mm	
<b>Fin spacing 10 mm, fan speed H</b>													
CCEH501A	8.2	5.5	4.3	3.5	1	720	25.0	55	7798	22.9	6.5	16	35
CCEH501B	11.3	7.6	5.9	4.8	1	720	24.0	55	7602	34.3	9.7	22	35
CCEH501C	14.1	9.5	7.4	6.0	1	720	24.0	55	7386	45.8	13.0	22	42
CCEH502A	16.3	11.0	8.5	6.9	2	1440	36.0	58	15590	45.0	11.7	22	42
CCEH502B	22.6	15.2	11.8	9.6	2	1440	35.0	58	15130	67.5	17.5	28	42
CCEH502C	28.1	18.9	14.7	11.9	2	1440	34.0	58	14760	90.0	23.4	28	42
CCEH503B	33.9	22.7	17.4	13.9	3	2160	43.0	60	22670	100.7	25.4	28	42
CCEH503C	40.8	27.1	20.3	16.0	3	2160	41.0	60	22120	134.2	33.9	28	42
CCEH504B	43.7	28.9	21.4	16.8	4	2880	49.0	61	30220	133.8	33.3	28	54
CCEH504C	50.3	33.8	26.3	21.3	4	2880	48.0	61	29480	178.5	44.3	28	54
<b>Fin spacing 10 mm, fan speed L</b>													
CCEL501A	6.5	4.4	3.4	2.8	1	290	17.0	45	5151	22.9	6.5	16	35
CCEL501B	8.8	5.9	4.6	3.8	1	290	16.0	45	5013	34.3	9.7	22	35
CCEL501C	10.8	7.3	5.8	4.7	1	290	16.0	45	4875	45.8	13.0	22	42
CCEL502A	12.9	8.7	6.8	5.5	2	580	24.0	48	10300	45.0	11.7	22	42
CCEL502B	17.6	11.9	9.3	7.6	2	580	23.0	48	9977	67.5	17.5	28	42
CCEL502C	21.7	14.7	11.6	9.4	2	580	22.0	48	9745	90.0	23.4	28	42
CCEL503B	26.7	18.0	14.0	11.3	3	870	28.0	50	14950	100.7	25.4	28	42
CCEL503C	32.1	21.6	16.6	13.2	3	870	27.0	50	14600	134.2	33.9	28	42
CCEL504B	35.0	23.4	17.8	14.1	4	1160	32.0	51	19930	133.8	33.3	28	54
CCEL504C	39.0	26.4	20.7	16.9	4	1160	32.0	51	19460	178.5	44.3	28	54

Model	Nominal capacities HFC DX		AC fans 230/50/1							Connections	
	SC1 kW	SC2 kW	nr.	fan power W	air throw m	sound pressure dB(A)	air flow m <sup>3</sup> /h	coil surface m <sup>2</sup>	Int. volume dm <sup>3</sup>	in mm	out mm
<b>CCX</b>											
<b>Fin spacing 4 mm, fan speed H</b>											
CCXH251A	2.5	1.7	1	118	8.0	54	1277	8.6	1.3	8	10
CCXH251B	3.4	2.3	1	118	7.7	54	1232	12.9	1.9	12	12
CCXH251C	4.0	2.7	1	118	7.4	54	1191	17.1	2.6	12	12
CCXH252A	4.9	3.3	2	236	11.5	57	2535	16.2	2.2	12	12
CCXH252B	6.5	4.5	2	236	11.1	57	2439	24.3	3.3	12	12
CCXH252C	7.8	5.3	2	236	10.7	57	2350	32.5	4.4	12	12
CCXH253A	7.4	5.0	3	354	14.2	59	3793	23.9	3.1	12	12
CCXH253B	9.8	6.7	3	354	13.6	59	3645	35.8	4.7	12	12
CCXH253C	11.7	8.0	3	354	13.1	59	3507	47.8	6.3	16	12
CCXH254A	9.6	6.5	4	180	16.4	40	5043	31.5	4.0	12	12
CCXH254B	12.6	8.7	4	180	15.7	40	4841	47.3	6.1	12	12
CCXH351A	4.4	3.0	1	130	12.0	49	2438	13.7	2.1	12	12
CCXH351B	5.9	4.0	1	130	11.4	49	2304	20.6	3.1	12	12
CCXH351C	7.0	4.8	1	130	10.8	49	2181	27.4	4.1	12	12
CCXH352A	8.6	5.8	2	260	17.3	52	4822	26.0	3.5	12	12
CCXH352B	11.4	7.8	2	260	16.2	52	4533	38.9	5.3	16	12
CCXH352C	13.5	9.2	2	260	15.3	52	4270	51.9	7.1	16	12
CCXH353A	12.8	8.7	3	390	21.3	54	7204	38.2	5.0	16	14
CCXH353B	16.8	11.5	3	390	20.0	54	6759	57.3	7.5	16	14
CCXH353C	20.2	13.8	3	390	18.8	54	6356	76.4	10.0	22	14
CCXH354A	16.8	11.4	4	520	24.6	55	9584	50.5	6.5	16	14
CCXH354B	22.6	15.4	4	520	23.1	55	8984	75.7	9.7	22	14
<b>Fin spacing 4 mm, fan speed L</b>											
CCXL251A	1.9	1.3	1	45	4.7	34	759	8.6	1.3	8	10
CCXL251B	2.5	1.7	1	45	4.6	34	734	12.9	1.9	12	12
CCXL251C	2.9	2.0	1	45	4.4	34	712	17.1	2.6	12	12
CCXL252A	3.8	2.6	2	90	6.8	37	1507	16.2	2.2	12	12
CCXL252B	4.9	3.4	2	90	6.6	37	1454	24.3	3.3	12	12
CCXL252C	5.7	3.9	2	90	6.4	37	1407	32.5	4.4	12	12
CCXL253A	5.7	3.9	3	135	8.4	39	2255	23.9	3.1	12	12
CCXL253B	7.3	5.0	3	135	8.1	39	2174	35.8	4.7	12	12
CCXL253C	8.5	5.8	3	135	7.8	39	2101	47.8	6.3	16	12
CCXL254A	7.5	5.1	4	180	9.8	40	3003	31.5	4.0	12	12
CCXL254B	9.6	6.6	4	180	9.4	40	2894	47.3	6.1	12	12
CCXL351A	3.8	2.6	1	65	8.6	42	1745	13.7	2.1	12	12
CCXL351B	4.9	3.4	1	65	8.0	42	1625	20.6	3.1	12	12
CCXL351C	5.6	3.9	1	65	7.5	42	1522	27.4	4.1	12	12
CCXL352A	7.3	5.0	2	130	12.3	45	3439	26.0	3.5	12	12
CCXL352B	9.5	6.5	2	130	11.4	45	3186	38.9	5.3	16	12
CCXL352C	10.9	7.5	2	130	10.7	45	2973	51.9	7.1	16	12
CCXL353A	10.9	7.5	3	195	15.2	47	5132	38.2	5.0	16	14
CCXL353B	14.0	9.6	3	195	14.0	47	4745	57.3	7.5	16	14
CCXL353C	16.2	11.2	3	195	13.1	47	4421	76.4	10.0	22	14
CCXL354A	14.4	9.8	4	260	17.5	48	6824	50.5	6.5	16	14
CCXL354B	18.7	12.8	4	260	16.2	48	6303	75.7	9.7	22	14

Model	Nominal capacities HFC DX				AC fans 230/50/1							Connections	
	SC1 kW	SC2 kW	SC3 kW	SC4 kW	nr.	fan power W	air throw m	sound pressure dB(A)	air flow m <sup>3</sup> /h	coil surface m <sup>2</sup>	Int. volume dm <sup>3</sup>	in mm	out mm
<b>CCX</b>													
<b>Fin spacing 7 mm, fan speed H</b>													
CCXH251A	1.9	1.3	0.9	0.7	1	118	8.2	54	1309	5.2	1.3	8	10
CCXH251B	2.6	1.8	1.3	1.0	1	118	8.0	54	1275	7.7	1.9	12	12
CCXH251C	3.2	2.1	1.5	1.3	1	118	7.8	54	1244	10.3	2.6	12	12
CCXH252A	3.6	2.4	1.7	1.4	2	236	11.8	57	2603	9.8	2.2	12	12
CCXH252B	5.0	3.4	2.4	2.0	2	236	11.5	57	2531	14.7	3.3	12	12
CCXH252C	6.2	4.2	3.0	2.5	2	236	11.2	57	2465	19.5	4.4	12	12
CCXH253A	5.4	3.7	2.6	2.2	3	354	14.6	59	3897	14.4	3.1	12	12
CCXH253B	7.5	5.0	3.6	3.0	3	354	14.1	59	3786	21.6	4.7	12	12
CCXH253C	9.2	6.3	4.5	3.7	3	354	13.8	59	3685	28.7	6.3	16	12
CCXH254A	7.1	4.8	3.4	2.8	4	180	16.9	40	5183	19.0	4.0	12	12
CCXH254B	9.8	6.6	4.7	3.9	4	180	16.4	40	5031	28.5	6.1	12	12
CCXH351A	3.3	2.2	1.6	1.3	1	130	12.5	49	2529	8.3	2.1	12	12
CCXH351B	4.6	3.1	2.2	1.8	1	130	12.0	49	2430	12.4	3.1	12	12
CCXH351C	5.6	3.8	2.7	2.2	1	130	11.5	49	2338	16.5	4.1	12	12
CCXH352A	6.4	4.3	3.1	2.6	2	260	18.0	52	5015	15.6	3.5	12	12
CCXH352B	8.8	6.0	4.3	3.5	2	260	17.2	52	4802	23.4	5.3	16	12
CCXH352C	10.8	7.3	5.2	4.3	2	260	16.5	52	4603	31.3	7.1	16	12
CCXH353A	9.6	6.4	4.6	3.8	3	390	22.2	54	7500	23.0	5.0	16	14
CCXH353B	13.1	8.8	6.3	5.2	3	390	21.2	54	7171	34.5	7.5	16	14
CCXH353C	16.1	10.9	7.8	6.5	3	390	20.3	54	6865	46.0	10.0	22	14
CCXH354A	12.6	8.5	6.1	5.0	4	520	25.7	55	9984	30.4	6.5	16	14
CCXH354B	17.5	11.8	8.4	7.0	4	520	24.5	55	9539	45.6	9.7	22	14
<b>Fin spacing 7 mm, fan speed L</b>													
CCXL251A	1.4	1.0	0.7	0.6	1	45	4.9	34	778	5.2	1.3		
CCXL251B	1.9	1.3	0.9	0.8	1	45	4.7	34	760	7.7	1.9	8	10
CCXL251C	2.3	1.6	1.1	0.9	1	45	4.6	34	743	10.3	2.6	12	12
CCXL252A	2.7	1.9	1.3	1.1	2	90	7.0	37	1548	9.8	2.2	12	12
CCXL252B	3.7	2.5	1.8	1.5	2	90	6.8	37	1508	14.7	3.3	12	12
CCXL252C	4.5	3.1	2.2	1.8	2	90	6.7	37	1473	19.5	4.4	12	12
CCXL253A	4.1	2.8	2.0	1.6	3	135	8.7	39	2318	14.4	3.1	12	12
CCXL253B	5.5	3.8	2.7	2.2	3	135	8.4	39	2257	21.6	4.7	12	12
CCXL253C	6.7	4.6	3.3	2.7	3	135	8.2	39	2203	28.7	6.3	12	12
CCXL254A	5.4	3.7	2.6	2.2	4	180	10.0	40	3088	19.0	4.0	16	12
CCXL254B	7.3	5.0	3.5	2.9	4	180	9.8	40	3005	28.5	6.1	12	12
CCXL351A	2.8	1.9	1.3	1.1	1	65	9.0	42	1828	8.3	2.1	12	12
CCXL351B	3.8	2.6	1.8	1.5	1	65	8.6	42	1737	12.4	3.1	12	12
CCXL351C	4.6	3.1	2.2	1.8	1	65	8.2	42	1654	16.5	4.1	12	12
CCXL352A	5.4	3.7	2.6	2.2	2	130	13.0	45	3618	15.6	3.5	12	12
CCXL352B	7.3	5.0	3.5	2.9	2	130	12.3	45	3421	23.4	5.3	12	12
CCXL352C	8.8	6.0	4.3	3.6	2	130	11.6	45	3246	31.3	7.1	16	12
CCXL353A	8.1	5.5	3.9	3.2	3	195	16.0	47	5405	23.0	5.0	16	12
CCXL353B	10.9	7.4	5.2	4.3	3	195	15.1	47	5103	34.5	7.5	16	14
CCXL353C	13.2	8.9	6.4	5.3	3	195	14.3	47	4835	46.0	10.0	16	14
CCXL354A	10.7	7.2	5.1	4.3	4	260	18.5	48	7192	30.4	6.5	22	14
CCXL354B	14.5	9.8	7.0	5.8	4	260	17.4	48	6784	45.6	9.7	16	14



Model	Nominal capacities HFC DX		AC fans 230-400/50/3							Connections	
	SC1 kW	SC2 kW	fan power nr. W	air throw m	sound pressure dB(A)	air flow m <sup>3</sup> /h	coil surface m <sup>2</sup>	Int. volume dm <sup>3</sup>	in mm	out mm	
<b>CCX</b>											
Fin spacing 4 mm, fan speed H											
CCXH251A	2.5	1.7	1	100	8.3	58	1327	8.6	1.3	8	10
CCXH251B	3.5	2.4	1	100	8.0	58	1284	12.9	1.9	12	12
CCXH251C	4.1	2.8	1	100	7.8	58	1246	17.1	2.6	12	12
CCXH252A	5.0	3.4	2	200	11.9	61	2636	16.2	2.2	12	12
CCXH252B	6.7	4.6	2	200	11.5	61	2546	24.3	3.3	12	12
CCXH252C	8.0	5.5	2	200	11.2	61	2464	32.5	4.4	12	12
CCXH253A	7.5	5.1	3	300	14.7	63	3944	23.9	3.1	12	12
CCXH253B	10.0	6.8	3	300	14.2	63	3806	35.8	4.7	12	12
CCXH253C	12.0	8.2	3	300	13.8	63	3680	47.8	6.3	16	12
CCXH351A	4.5	3.1	1	130	12.8	49	2601	13.7	2.1	12	12
CCXH351B	6.1	4.1	1	130	12.0	49	2441	20.6	3.1	12	12
CCXH351C	7.2	4.9	1	130	11.4	49	2303	27.4	4.1	12	12
CCXH352A	8.8	6.0	2	260	18.4	52	5136	26.0	3.5	12	12
CCXH352B	11.8	8.0	2	260	17.2	52	4797	38.9	5.3	16	12
CCXH352C	13.9	9.5	2	260	16.2	52	4506	51.9	7.1	16	12
CCXH353A	13.2	8.9	3	390	22.7	54	7668	38.2	5.0	16	14
CCXH353B	17.3	11.8	3	390	21.1	54	7149	57.3	7.5	16	14
CCXH353C	20.8	14.2	3	390	19.8	54	6707	76.4	10.0	22	14
CCXH354A	17.3	11.7	4	520	26.2	55	10200	50.5	6.5	16	14
CCXH354B	23.2	15.8	4	520	24.4	55	9501	75.7	9.7	22	14

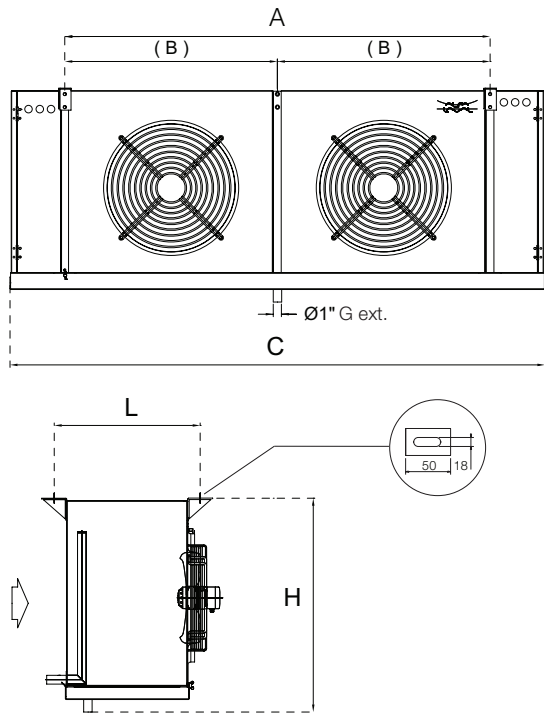
Model	Nominal capacities HFC DX		AC fans 230-400/50/3							Connections	
	SC1 kW	SC2 kW	fan power nr. W	air throw m	sound pressure dB(A)	air flow m <sup>3</sup> /h	coil surface m <sup>2</sup>	Int. volume dm <sup>3</sup>	in mm	out mm	
<b>CCX</b>											
<b>Fin spacing 4 mm, fan speed H</b>											
CCXH401A	5.9	4.0	1	280	16.1	53	3664	17.0	3.7	12	10
CCXH401B	8.0	5.5	1	280	14.8	53	3382	25.5	5.5	12	10
CCXH401C	9.2	6.3	1	280	13.8	53	3138	34.1	7.3	12	12
CCXH402A	11.7	8.0	2	560	22.8	56	7277	33.3	6.5	12	12
CCXH402B	15.8	10.8	2	560	21.0	56	6697	49.9	9.8	16	14
CCXH402C	19.0	12.9	2	560	19.5	56	6201	66.5	13.0	16	14
CCXH403A	17.5	11.9	3	840	28.0	58	10890	49.5	9.3	16	16
CCXH403B	23.6	16.1	3	840	25.7	58	10010	74.2	14.0	16	16
CCXH403C	27.1	18.6	3	840	23.8	58	9264	98.9	18.7	16	16
CCXH404A	23.6	16.0	4	1120	32.4	59	14500	65.7	12.2	16	16
CCXH404B	30.0	20.5	4	1120	29.7	59	13330	98.5	18.3	16	16
CCXH404C	36.1	24.7	4	1120	27.5	59	12330	131.4	24.4	22	16
CCXH501A	11.4	7.8	1	720	24.0	55	7461	32.3	3.8	12	12
CCXH501B	15.6	10.6	1	720	22.9	55	7116	48.5	5.7	16	12
CCXH501C	18.9	12.9	1	720	21.9	55	6805	64.7	7.6	16	12
CCXH502A	21.5	14.7	2	1440	34.1	58	14880	63.6	6.9	16	16
CCXH502B	28.7	19.7	2	1440	32.5	58	14170	95.3	10.4	16	16
CCXH502C	36.1	24.7	2	1440	31.0	58	13540	127.1	13.8	22	16
CCXH503A	33.9	23.0	3	2160	41.8	60	22300	94.8	10.1	22	16
CCXH503B	42.9	29.4	3	2160	39.8	60	21230	142.2	15.1	22	16
CCXH503C	52.6	36.1	3	2160	38.0	60	20270	189.6	20.1	22	18
CCXH504A	42.9	29.3	4	2880	48.3	61	29720	126.0	13.2	22	18
CCXH504B	58.9	40.3	4	2880	46.0	61	28290	189.0	19.8	22	22
<b>Fin spacing 4 mm, fan speed L</b>											
CCXL401A	4.8	3.3	1	120	9.8	43	2227	17.0	3.7	12	10
CCXL401B	6.3	4.3	1	120	9.0	43	2047	25.5	5.5	12	10
CCXL401C	7.0	4.8	1	120	8.3	43	1896	34.1	7.3	12	12
CCXL402A	9.5	6.5	2	240	13.9	46	4420	33.3	6.5	12	12
CCXL402B	12.4	8.5	2	240	12.7	46	4052	49.9	9.8	16	14
CCXL402C	14.3	9.8	2	240	11.7	46	3745	66.5	13.0	16	14
CCXL403A	14.2	9.7	3	360	17.0	48	6614	49.5	9.3	16	16
CCXL403B	18.4	12.6	3	360	15.6	48	6057	74.2	14.0	16	16
CCXL403C	20.8	14.3	3	360	14.4	48	5594	98.9	18.7	16	16
CCXL404A	19.0	13.0	4	480	19.7	49	8807	65.7	12.2	16	16
CCXL404B	23.7	16.3	4	480	18.0	49	8062	98.5	18.3	16	16
CCXL404C	27.6	19.0	4	480	16.6	49	7443	131.4	24.4	22	16
CCXL501A	9.6	6.5	1	290	15.7	45	4889	32.3	3.8	12	12
CCXL501B	12.7	8.7	1	290	15.0	45	4668	48.5	5.7	16	12
CCXL501C	15.1	10.3	1	290	14.3	45	4463	64.7	7.6	16	12
CCXL502A	18.2	12.5	2	580	22.3	48	9751	63.6	6.9	16	16
CCXL502B	23.9	16.4	2	580	21.3	48	9299	95.3	10.4	16	16
CCXL502C	29.1	20.0	2	580	20.3	48	8878	127.1	13.8	22	16
CCXL503A	28.4	19.4	3	870	27.4	50	14610	94.8	10.1	22	16
CCXL503B	35.8	24.6	3	870	26.1	50	13930	142.2	15.1	22	16
CCXL503C	42.7	29.4	3	870	24.9	50	13290	189.6	20.1	22	18
CCXL504A	36.3	24.9	4	1160	31.7	51	19470	126.0	13.2	22	18
CCXL504B	48.7	33.4	4	1160	30.2	51	18560	189.0	19.8	22	22

Model	Nominal capacities HFC DX				AC fans 230-400/50/3							Connections	
	SC1 kW	SC2 kW	SC3 kW	SC4 kW	fan power nr.	air throw W	sound pressure m	air flow dB(A)	coil surface m <sup>3</sup> /h	coil surface m <sup>2</sup>	Int. volume dm <sup>3</sup>	in mm	out mm
Fin spacing 7 mm, fan speed H													
CCXH251A	1.9	1.3	0.9	0.8	1	100	8.5	58	1358	5.2	1.3	8	10
CCXH251B	2.6	1.8	1.3	1.1	1	100	8.3	58	1325	7.7	1.9	12	12
CCXH251C	3.2	2.2	1.6	1.3	1	100	8.1	58	1296	10.3	2.6	12	12
CCXH252A	3.7	2.5	1.8	1.5	2	200	12.2	61	2701	9.8	2.2	12	12
CCXH252B	5.1	3.5	2.5	2.0	2	200	11.9	61	2631	14.7	3.3	12	12
CCXH252C	6.3	4.3	3.0	2.5	2	200	11.6	61	2569	19.5	4.4	12	12
CCXH253A	5.5	3.7	2.7	2.2	3	300	15.1	63	4043	14.4	3.1	12	12
CCXH253B	7.6	5.2	3.7	3.1	3	300	14.7	63	3936	21.6	4.7	12	12
CCXH253C	9.4	6.4	4.6	3.8	3	300	14.4	63	3841	28.7	6.3	16	12
CCXH351A	3.4	2.3	1.6	1.3	1	130	13.4	49	2707	8.3	2.1	12	12
CCXH351B	4.7	3.2	2.3	1.9	1	130	12.8	49	2589	12.4	3.1	12	12
CCXH351C	5.8	3.9	2.8	2.3	1	130	12.2	49	2479	16.5	4.1	12	12
CCXH352A	6.6	4.4	3.2	2.6	2	260	19.2	52	5365	15.6	3.5	12	12
CCXH352B	9.1	6.1	4.4	3.6	2	260	18.3	52	5108	23.4	5.3	16	12
CCXH352C	11.2	7.6	5.4	4.5	2	260	17.5	52	4874	31.3	7.1	16	12
CCXH353A	9.9	6.6	4.7	3.9	3	390	23.7	54	8020	23.0	5.0	16	14
CCXH353B	13.5	9.1	6.5	5.4	3	390	22.5	54	7624	34.5	7.5	16	14
CCXH353C	16.7	11.3	8.0	6.7	3	390	21.5	54	7265	46.0	10.0	22	14
CCXH354A	13.0	8.7	6.2	5.1	4	520	27.4	55	10680	30.4	6.5	16	14
CCXH354B	18.1	12.2	8.6	7.2	4	520	26.1	55	10140	45.6	9.7	22	14

Model	Nominal capacities HFC DX				AC fans 230-400/50/3							Connections	
	SC1 kW	SC2 kW	SC3 kW	SC4 kW	nr.	fan power W	air throw m	sound pressure dB(A)	air flow m <sup>3</sup> /h	coil surface m <sup>2</sup>	Int. volume dm <sup>3</sup>	in mm	out mm
<b>CCX</b>													
<b>Fin spacing 7 mm, fan speed H</b>													
CCXH401A	4.6	3.1	2.2	1.8	1	280	16.9	53	3846	10.4	3.7	12	10
CCXH401B	6.3	4.2	3.0	2.5	1	280	15.9	53	3623	15.5	5.5	12	10
CCXH401C	7.5	5.1	3.6	3.0	1	280	15.0	53	3423	20.7	7.3	12	12
CCXH402A	9.0	6.0	4.3	3.6	2	560	24.0	56	7651	20.2	6.5	12	12
CCXH402B	12.5	8.4	6.0	5.0	2	560	22.6	56	7191	30.3	9.8	16	14
CCXH402C	15.4	10.4	7.4	6.1	2	560	21.3	56	6782	40.4	13.0	16	14
CCXH403A	13.4	9.0	6.4	5.3	3	840	29.5	58	11450	30.1	9.3	16	16
CCXH403B	18.6	12.5	8.9	7.4	3	840	27.7	58	10760	45.1	14.0	16	16
CCXH403C	22.3	15.1	10.7	8.8	3	840	26.1	58	10140	60.2	18.7	16	16
CCXH404A	18.0	12.1	8.6	7.2	4	1120	34.0	59	15260	39.9	12.2	16	16
CCXH404B	24.0	16.2	11.5	9.4	4	1120	32.0	59	14330	59.9	18.3	16	16
CCXH404C	29.7	20.1	14.2	11.7	4	1120	30.1	59	13500	79.9	24.4	22	16
CCXH501A	8.7	5.8	4.2	3.5	1	720	24.6	55	7674	19.5	3.8	12	12
CCXH501B	12.2	8.2	5.8	4.8	1	720	23.8	55	7409	29.2	5.7	16	12
CCXH501C	15.2	10.2	7.3	6.0	1	720	23.0	55	7165	38.9	7.6	16	12
CCXH502A	16.7	11.2	8.0	6.6	2	1440	35.1	58	15310	38.3	6.9	16	16
CCXH502B	23.0	15.5	11.0	9.0	2	1440	33.8	58	14770	57.4	10.4	16	16
CCXH502C	29.2	19.7	14.0	11.6	2	1440	32.7	58	14270	76.5	13.8	22	16
CCXH503A	25.8	17.3	12.4	10.3	3	2160	43.0	60	22950	57.1	10.1	22	16
CCXH503B	34.4	23.2	16.4	13.5	3	2160	41.5	60	22130	85.6	15.1	22	16
CCXH503C	43.0	29.1	20.5	16.9	3	2160	40.1	60	21380	114.1	20.1	22	18
CCXH504A	33.3	22.4	15.9	13.1	4	2880	49.8	61	30590	75.8	13.2	22	18
CCXH504B	46.7	31.5	22.4	18.4	4	2880	48.0	61	29490	113.8	19.8	22	22
<b>Fin spacing 7 mm, fan speed L</b>													
CCXL401A	3.6	2.4	1.7	1.4	1	120	10.3	43	2350	10.4	3.7	12	10
CCXL401B	4.9	3.3	2.3	1.9	1	120	9.7	43	2209	15.5	5.5	12	10
CCXL401C	5.8	3.9	2.8	2.3	1	120	9.1	43	2084	20.7	7.3	12	12
CCXL402A	7.1	4.8	3.4	2.8	2	240	14.7	46	4674	20.2	6.5	12	12
CCXL402B	9.6	6.5	4.6	3.8	2	240	13.8	46	4384	30.3	9.8	16	14
CCXL402C	11.6	7.9	5.6	4.6	2	240	12.9	46	4128	40.4	13.0	16	14
CCXL403A	10.6	7.1	5.1	4.2	3	360	18.0	48	6998	30.1	9.3	16	16
CCXL403B	14.4	9.7	6.9	5.7	3	360	16.9	48	6559	45.1	14.0	16	16
CCXL403C	17.0	11.6	8.2	6.8	3	360	15.9	48	6171	60.2	18.7	16	16
CCXL404A	14.1	9.5	6.8	5.6	4	480	20.8	49	9322	39.9	12.2	16	16
CCXL404B	18.7	12.7	9.0	7.4	4	480	19.5	49	8733	59.9	18.3	16	16
CCXL404C	22.7	15.4	10.9	9.0	4	480	18.3	49	8214	79.9	24.4	22	16
CCXL501A	7.1	4.8	3.4	2.8	1	290	16.2	45	5054	19.5	3.8	12	12
CCXL501B	9.8	6.6	4.7	3.9	1	290	15.7	45	4880	29.2	5.7	16	12
CCXL501C	12.0	8.1	5.8	4.8	1	290	15.2	45	4729	38.9	7.6	16	12
CCXL502A	13.8	9.3	6.6	5.4	2	580	23.1	48	10080	38.3	6.9	16	16
CCXL502B	18.8	12.7	9.0	7.4	2	580	22.3	48	9730	57.4	10.4	16	16
CCXL502C	23.4	15.9	11.3	9.3	2	580	21.6	48	9422	76.5	13.8	22	16
CCXL503A	21.1	14.2	10.1	8.4	3	870	28.3	50	15110	57.1	10.1	22	16
CCXL503B	28.1	19.1	13.5	11.1	3	870	27.3	50	14580	85.6	15.1	22	16
CCXL503C	34.6	23.5	16.6	13.7	3	870	26.5	50	14110	114.1	20.1	22	18
CCXL504A	27.5	18.6	13.2	10.9	4	1160	32.8	51	20140	75.8	13.2	22	18
CCXL504B	37.9	25.7	18.2	15.1	4	1160	31.6	51	19430	113.8	19.8	22	22

Dimensions

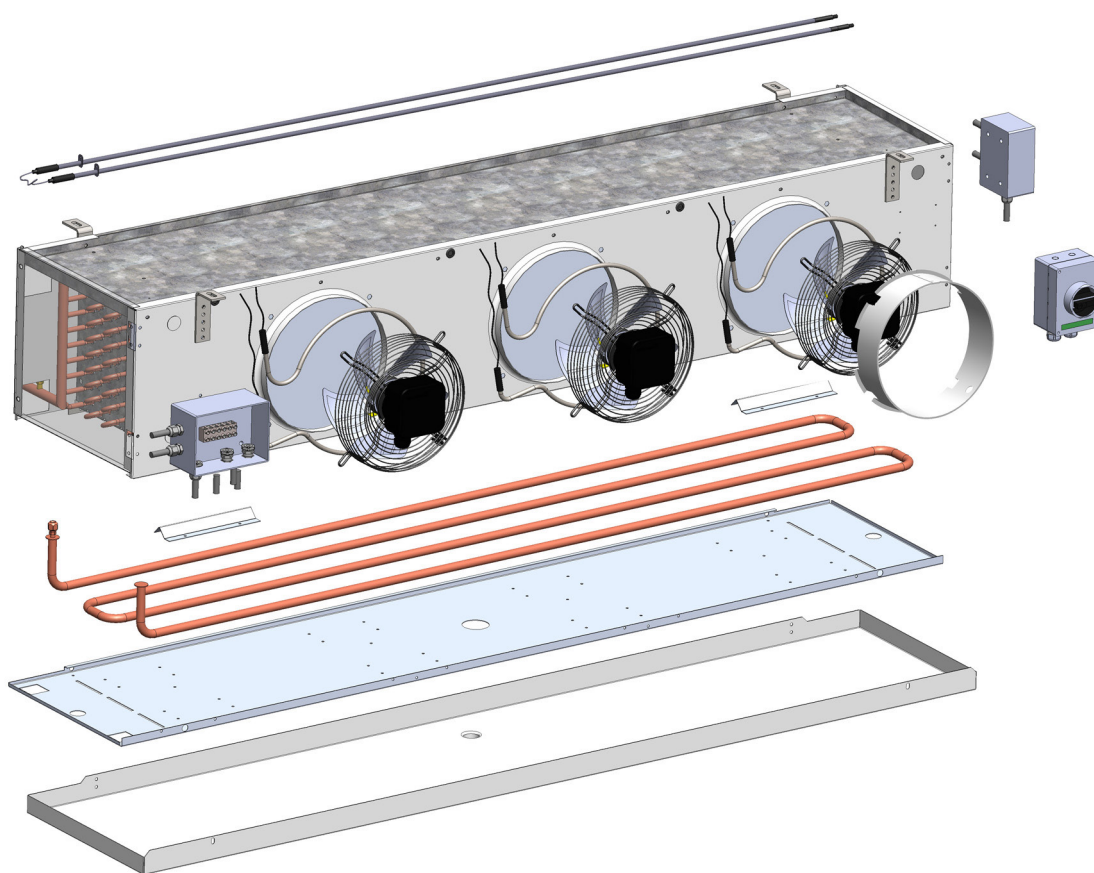
cooler model	Dimensions (mm)					Shipping volume m <sup>3</sup>
	C	H	L	A	B	
CC 251	841	405	410	530	-	0.4
CC 252	1341	405	410	1030	-	0.6
CC 253	1841	405	410	1530	-	0.8
CC 254	2341	405	410	2030	1015	1.0
CC 351	841	598	410	530	-	0.5
CC 352	1341	598	410	1030	-	0.7
CC 353	1841	598	410	1530	-	1.0
CC 354	2341	598	410	2030	1015	1.3
CC 401	1037	691	583	600	-	0.9
CC 402	1637	691	583	1200	-	1.3
CC 403	2237	691	583	1800	-	1.7
CC 404	2837	691	583	2400	1200	2.2
CC 501	1288	854	583	850	-	1.3
CC 502	2138	854	583	1700	-	2.0
CC 503	2988	854	583	2550	-	2.7
CC 504	3838	854	583	3400	1700	3.5



Weights

Model CC	*Weight (kg)
251.1A	18
251.1B	19
251.1C	20
252.1A	30
252.1B	31
252.1C	32
253.1A	45
253.1B	46
253.1C	47
254.1A	60
254.1B	61
351.1A	36
351.1B	37
351.1C	38
352.1A	52
352.1B	53
352.1C	54
353.1A	73
353.1B	74
353.1C	75
354.1A	105
354.1B	106
401A	56
401B	58
401C	60
402A	106
402B	107
402C	108
403A	147
403B	148
403C	149
404A	188
404B	189
404C	190
501A	124
501B	129
501C	134
502A	187
502B	192
502C	197
503B	256
503C	261
504B	299
504C	299

\* Weights for CC models with fin spacing 7 mm



Spare parts Optigo CC			Article no.
AC fan motors 230/50/1		Ø	
1ph/230V/50-60Hz	H	250	41103191SP
1ph/230V/50-60Hz	L	250	41103241SP
1ph/230V/50-60Hz	H	350	41101520SP
1ph/230V/50-60Hz	L	350	41101521SP
1ph/230V/50-60Hz	H	400	41101165SP
1ph/230V/50-60Hz	L	400	41101490SP
1ph/230V/50-60Hz	H	500	41101545SP
1ph/230V/50-60Hz	L	500	41101510SP

Spare parts Optigo CC			Article no.
AC fan motors 230-400/50/3		Ø	
3ph/230D-400YV/50-60Hz	H	250	41101243SP
3ph/230D-400YV/50-60Hz	H	350	41101525SP
3ph/400V/50-60Hz	H	400	41101152SP
3ph/400V/50-60Hz	L	400	41101292SP
3ph/400V/50-60Hz	H	500	41101546SP
3ph/400V/50-60Hz	L	500	41101504SP
EC fan motors			
1ph/230V/50-60Hz	H/L	250	41101558SP
1ph/230V/50-60Hz	H/L	350	41103185SP
1ph/230V/50-60Hz	H/L	400	41103258SP
1ph/230V/50-60Hz	H	500	11000126SP
1ph/230V/50-60Hz	L	500	11000127SP
3ph/380-480V/50-60Hz	H	500	11000128SP
3ph/380-480V/50-60Hz	L	500	11000129SP

Spare parts Optigo CC	Article number
<b>Electric defrost heaters</b> (coil & drip tray heater identical)	
Defrost heater CC251-351	41001237SP
Defrost heater CC252-352	41001238SP
Defrost heater CC253-353	41001239SP
Defrost heater CC254-354	41001240SP
Defrost heater CC401	41001241SP
Defrost heater CC402	41001242SP
Defrost heater CC403	41001243SP
Defrost heater CC404	41001244SP
Defrost heater CC501	41001245SP
Defrost heater CC502	41001246SP
Defrost heater CC503	41001247SP
Defrost heater CC504	41001248SP
<b>Electric defrost heater kits</b> (all heaters, connection box & fixing materials)	
KIT defrost heaters CC251AB	11100105SP
KIT defrost heaters CC251C	11100106SP
KIT defrost heaters CC252AB	11100107SP
KIT defrost heaters CC252C	11100108SP
KIT defrost heaters CC253AB	11100109SP
KIT defrost heaters CC253C	11100110SP
KIT defrost heaters CC254AB	11100111SP
KIT defrost heaters CC351AB	11100112SP
KIT defrost heaters CC351C	11100113SP
KIT defrost heaters CC352AB	11100114SP
KIT defrost heaters CC352C	11100115SP
KIT defrost heaters CC353AB	11100116SP
KIT defrost heaters CC353C	11100117SP
KIT defrost heaters CC354AB	11100118SP
KIT defrost heaters CC354C	11100119SP
KIT defrost heaters CC401AB	11100120SP
KIT defrost heaters CC401C	11100121SP
KIT defrost heaters CC402AB	11100122SP
KIT defrost heaters CC402C	11100123SP
KIT defrost heaters CC403AB	11100124SP
KIT defrost heaters CC403C	11100125SP
KIT defrost heaters CC404AB	11100126SP
KIT defrost heaters CC404C	11100127SP
KIT defrost heaters CC501AB	11100128SP
KIT defrost heaters CC501C	11100129SP
KIT defrost heaters CC502AB	11100130SP
KIT defrost heaters CC502C	11100131SP
KIT defrost heaters CC503AB	11100132SP
KIT defrost heaters CC503C	11100133SP
KIT defrost heaters CC504AB	11100134SP
KIT defrost heaters CC504C	11100135SP

Spare parts Optigo CC	Article number
<b>Fan ring heaters</b>	
Fan ring heater P300W - CC250	41001077SP
Fan ring heater P300W - CC350	41001071SP
Fan ring heater P350W - CC400	41001066SP
Fan ring heater P450W - CC500	41001067SP
Heater support (4 per heater ring)	60112015SP
<b>Fan ring heater kits</b> (all heaters, connection box & fixing materials)	
KIT fan ring heater 251	11100136SP
KIT fan ring heater 252	11100137SP
KIT fan ring heater 253	11100138SP
KIT fan ring heater 254	11100139SP
KIT fan ring heater 351	11100140SP
KIT fan ring heater 352	11100141SP
KIT fan ring heater 353	11100142SP
KIT fan ring heater 354	11100143SP
KIT fan ring heater 401	11100144SP
KIT fan ring heater 402	11100145SP
KIT fan ring heater 403	11100146SP
KIT fan ring heater 404	11100147SP
KIT fan ring heater 501	11100148SP
KIT fan ring heater 502	11100149SP
KIT fan ring heater 503	11100150SP
KIT fan ring heater 504	11100151SP
<b>Drip trays</b>	
Drip tray CC251-351	9460085871SP
Drip tray CC252-352	9460085873SP
Drip tray CC253-353	9460085875SP
Drip tray CC254-354	9460085877SP
Drip tray CC401	9460085779SP
Drip tray CC402	9460085781SP
Drip tray CC403	9460085783SP
Drip tray CC404	9460085785SP
Drip tray CC501	9460085935SP
Drip tray CC502	9460085937SP
Drip tray CC503	9460085939SP
Drip tray CC504	9460085941SP
<b>Air streamer</b>	
Air streamer for all CC500 models	41199136SP

### Alfa Laval in brief

Alfa Laval is a leading global provider of specialized products and engineered solutions.

Our equipment, systems and services are dedicated to helping customers optimize the performance of their processes. Time and time again.

We help our customers to heat, cool, separate and transport products such as oil, water, chemicals, beverages, food-stuffs, starch and pharmaceuticals.

Our worldwide organization works closely with customers in almost 100 countries to help them stay ahead.

### How to contact Alfa Laval

Up-to-date contact details for all countries are always available on our corporate website at [www.alfalaval.com](http://www.alfalaval.com). You can also download product information and selection software.



Optigo CC

Alfa Laval channel partner

